

CONTACT US

Address: Room 1107, Block B, Fuli Center, Hefei
Road, Tianjin,China

Tel: 86 22 87528810

Fax: 86 22 87528810

Website: www.siscovalve.com

E-mail: sales@siscovalve.com



RGV010

Non-rising Stem Resilient Seated Gate Valve



SISCO VALVE

COMPANY PROFILE

SISCO is a competitive valve manufacturer that was first incorporated in 1995. As an OEM manufacturer, we specialize in premium industrial valves. Our main products include the butterfly valve, gate valve, and check valve. These products are utilized extensively by industries such as petroleum, chemical engineering, sewage treatment as well as air and water treatment. Customization services are available upon request.

SISCO owns 12,000 square meters of real estate. We maintain operations with a staff of more than 200 employees, many of whom are senior engineers and experienced technicians. Our modern facilities include 11 workshops and 3 automatic assembling machines that have been specialized for dedicated functions such as assembly, processing, painting, and testing. A complete array of advanced equipment ensures the quality of our products.

We have successfully passed the certification of internationally recognized standards such as CE, DNV, GOST, and ISO9001. Our manufacturing techniques implement state-of-the-art technologies to guarantee high processing efficiency and integrity. This level of enhanced productivity is the underlying basis for our always-on-time delivery policy. As a mature and responsible enterprise, we strive to provide considerate and attentive after-sales services.

SISCO exports worldwide to regions including the Americas, Europe, and the Middle East. Our valves have also exhibited outstanding performance on domestic markets, serving as the control node for systems such as petroleum pipelines, heat supply pipelines, water supply pipes, chemical pipelines, and sewage treatment.

Product quality has always been our top priority. All SISCO employees are trained in proper handling and operating techniques. We have developed quality control protocols to streamline everything from raw material procurement to machining, inspection, and logistics.

Please contact us with product and service related inquiries! We look forward to your correspondence.

Non-rising Stem Resilient Seated Gate Valve

RGV010 Series



RGV010

Gate valve Series

PRODUCTION CAPABILITY AND CERTIFICATE

01 02



RGV010

Gate valve Series

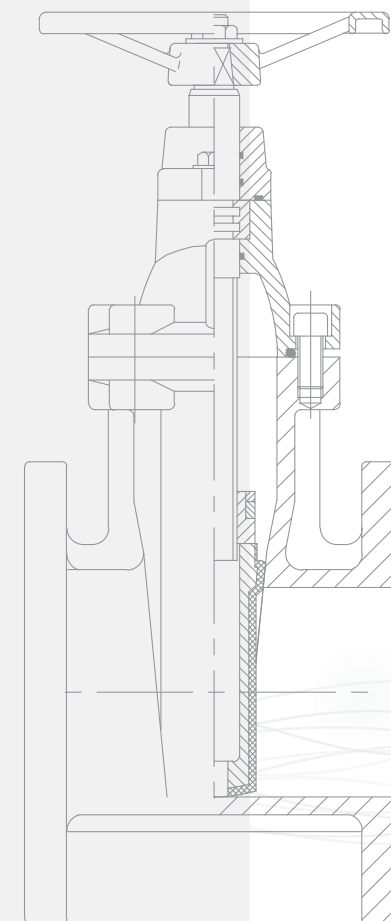
FIELD OF APPLICATION

03 04

- Water-supply systems
- Water & Wastewater treatment system
- Food processing
- Firefighting system
- Natural gas, liquefied gas system

SISCO RGV010 series can be used to replace the stainless steel valves, and copper alloy valves, which suit for high standard hotels, office buildings and residential building drainage pipelines. RGV010 series are designed to meet the stringent requirements of wide range of industries that including:

Non-rising Stem Resilient Seated Gate Valve



DESIGN FEATURES

1. Innovative and reasonable design, simple and compact structure, easy to operate;
2. Sealing reliability, zero leakage;
3. Fusion bonded epoxy coating throughout inside and outside, minimum thickness 310µm of outside surface, rubber coated disc to prevent the medium pollution;
4. Larger flow area, Un-notched bottom, no smudgy accumulation, smaller flow resistance;
5. Smaller operating torque, easy to operate;
6. Flexible mode of operation such as hand wheel, gear box, electric actuator;
7. Easy installation, no valve well needed under normal circumstances, stem cap for deep well and underground pipeline is available.

RGV010 Series



RGV010

Gate valve Series

GENERAL FEATURES

05  06

1. Standard

Design: BS EN1171:2002
 Face to face standard: BS EN558:2008
 Flange standard: BS EN 1092-2:1997 PN10/16
 Test standard: BS EN 12266-1:2012

2. Specification

DN50~DN700
 Pressure: PN 10/16
 Temperature: $\leq -30^{\circ}\text{C}$ ~ $\leq 180^{\circ}\text{C}$
 Coating thickness: $\geq 300\mu\text{m}$

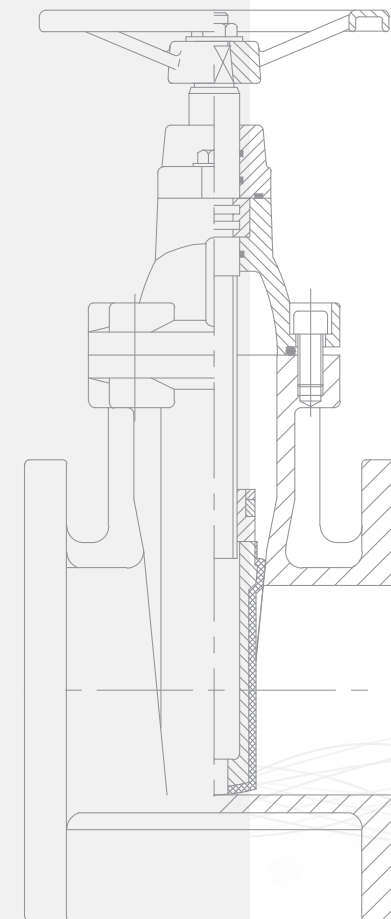
3. Applicable media

water, oil, gas and other non-corrosive media.

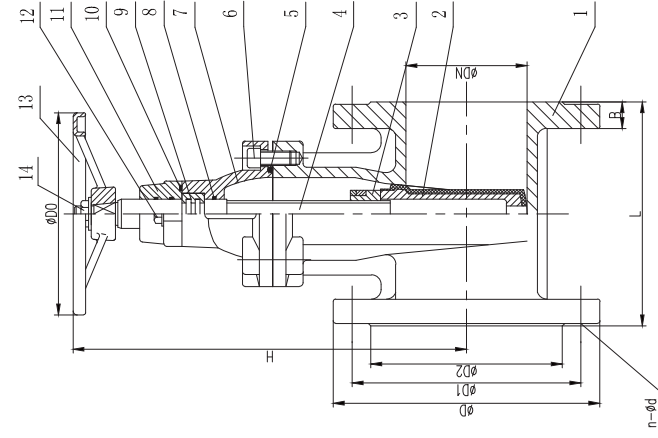
STANDARD MATERIALS

Nominal Dimension	Nominal Pressure	Connectivity Standard	Part Name	Material
Available DN50 ~ DN600	Available PN10 or PN16	Available DIN PN10/16 or ANSI 150lb	Body	Cast Iron Ductile Iron
			Body Coating	Epoxy Coating
			Disc	Ductile iron+NBR/ EPDM/FKM
			Stem	ASTM 304 Stainless Steel
				ASTM 316 Stainless Steel
ASTM 416/420 Stainless Steel				
				Super Duplex Stainless Steel
				Monel Metal

Non-rising Stem Resilient Seated Gate Valve



Z45X-16-00



Technical requirements

1. Design: BS EN 1171:2002
2. Test and inspection: BS EN 12266-1:2012
3. Face to face: DIN 3202-F4
4. End connection: BS EN 1092-2:1997 PN16

Performance specification

Item	Unit	Requirement
Pressure	Mpa	1.6
Shell test	Mpa	2.4
Closure test	Mpa	1.76
Applicable temp.	°C	-20~+120°C
Media.		Water, oil etc.

14	GB/T 93-2000	Hexnut	1	35	
13	Z45X-16-08	Handwheel	1	D. I.	
12	GB/T 5781-2000	Hexagon bolt	2	Q235	
11	Z45X-16-07	Top cover	1	D. I.	
10	GB/T 3452.1-2000	O-ring	1	NR	
9	Z45X-16-06	Locating bushing	1	ZCuZn38Mn2Pb2	
8	GB/T 3452.1-2000	O-ring	3	NR	
7	Z45X-16-05	Bonnet	1	D. I.	
6	GB/T 70	Hexagonal bolt	8	Q235	
5	GB/T 3452.1-2000	Gasket	1	NR	
4	Z45X-16-04	Stem	1	SS420	
3	Z45X-16-03	Stem nut	1	ZCuZn38Mn2Pb2	
2	Z45X-16-02	Disc	1	D. I. +EPDM	
1	Z45X-16-01	Body	1	D. I.	

规格 DN	L	H	φ00	φ01	φ02	n-φd	B
50	150	238	160	125	99	4-φ19	19
65	170	250	160	145	118	4-φ19	19
80	180	282	195	200	132	8-φ19	19
100	190	325	195	220	180	8-φ19	19
125	200	390	260	250	210	8-φ19	19
150	210	440	260	285	240	8-φ23	19
200	230	523	330	340	295	12-φ23	20
250	250	636	415	405	355	12-φ28	22
300	270	726	415	460	410	12-φ28	24.5
350	290	792	460	520	470	16-φ28	26.5
400	310	885	460	580	525	16-φ31	28
450	330	1060	550	640	585	20-φ31	30
500	350	1160	550	715	650	20-φ31	31.5
600	390	1390	625	840	770	20-φ37	36

Item NO.	Part Code	Part List	QTY.	Material List	Unit Total Weight	Remarks
GENERAL ASSEMBLING DRAWING						
SISCO FLOW CONTROL CO.,LTD.						
RGV010 Non-rising Stem Resilient Seated Gate Valve						
Z45X-16-00						

Non-rising Stem Resilient Seated Gate Valve

RGV010 Series

